



User Guide

ThinkPad USB 3.0 Dock

 <http://www.lenovo.com/safety>

Note: Before installing the product, be sure to read the warranty information in Appendix B “Lenovo Limited Warranty” on page 23.

First Edition (May 2012)

© Copyright Lenovo 2012.

LIMITED AND RESTRICTED RIGHTS NOTICE: If data or software is delivered pursuant a General Services Administration “GSA” contract, use, reproduction, or disclosure is subject to restrictions set forth in Contract No. GS-35F-05925.

Contents

Chapter 1. About the ThinkPad USB

3.0 Dock 1

Product description	1
Locating the controls	2
System requirements	3

Chapter 2. Installing the dock. 5

Connecting the dock to your notebook computer	5
Installing the device driver on Windows operating systems	6
Uninstalling the device driver from Windows operating systems	7

Chapter 3. Using the dock 9

Using the headset and microphone combo jack	9
Using the Gigabit Ethernet connector.	9
Using the USB connectors	9
Using the USB 3.0 connector with battery charging function	9
Using the video output connectors.	10

Chapter 4. Working with the dock . . . 11

Identifying your monitors.	11
Understanding the video output modes	11
Extend mode	11
Mirror mode	12
Single-display mode	12
Working with the dock utility	13
Checking for updates	13
Manually enabling the headset and microphone combo jack	13
Optimizing the video playback quality.	14
Rotating the external monitor display	14
Setting the color quality of the external monitor.	14

Setting the resolution of the external monitor	15
Switching video output modes	15
Supported resolutions and refresh rates.	15

Chapter 5. Troubleshooting 17

Appendix A. Service and Support. . . 21

Online technical support	21
Telephone technical support	21

Appendix B. Lenovo Limited Warranty. 23

Part 1 - General Terms	23
Part 2 - Country-specific Terms	25
Part 3 - Warranty Service Information.	28
Suplemento de Garantía para México.	29

Appendix C. Electronic emission notices 31

Federal Communications Commission Declaration of Conformity	31
---	----

Appendix D. Notices. 35

Trademarks	35
Recycling information	35
Recycling information for Brazil	36

Appendix E. Restriction of Hazardous Substances Directive (RoHS) 37

China RoHS.	37
Turkish statement of compliance	37
Ukraine RoHS	37

Chapter 1. About the ThinkPad USB 3.0 Dock

This chapter contains the product description, locations of controls, and system requirements for the ThinkPad® USB 3.0 Dock (hereafter called the dock).

Product description

The dock is a portable expansion module that enables you to easily connect your notebook computer to the Ethernet and multiple devices, such as a headset, a microphone, and Universal Serial Bus (USB) devices. It simultaneously supports up to two external monitors with the maximum resolution of 2048 x 1152 pixels, and provides five USB 3.0 connectors for higher bandwidth and better performance. The dock also supports Gigabit Ethernet speed when you connect it to networks.

You can set up your work area by connecting your notebook computer to the dock with the provided USB 3.0 cable, connecting multiple devices to the dock, and setting the dock on your notebook computer; then, you are ready to use the multiple devices each time you connect your notebook computer to the dock.

Your option package includes the following:

- ThinkPad USB 3.0 Dock
- Power adapter
- Power cord
- USB 3.0 cable
- DVI-I to VGA adapter
- Warranty poster
- *Software and User Guide CD*

Contact your place of purchase if any item is missing or damaged. Be sure to retain your proof of purchase and packing material. They might be required to receive warranty service.

Locating the controls

The following figure shows the locations of controls on the dock.

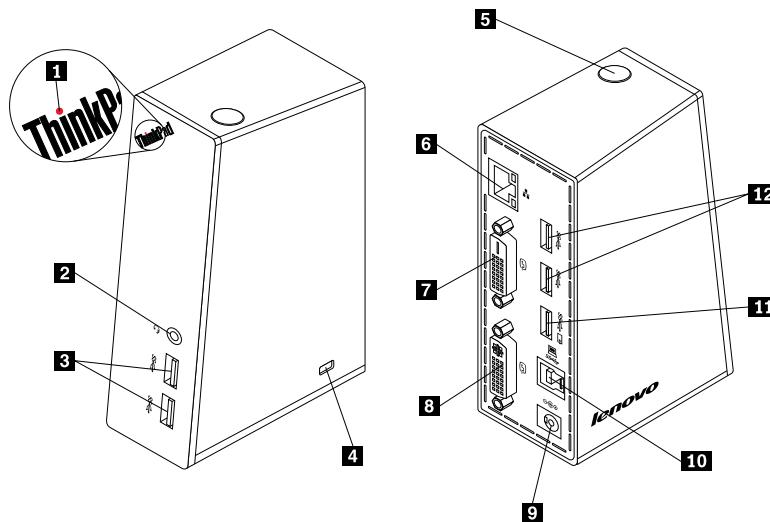


Figure 1. Overview of the dock

- | | |
|--|--|
| 1 Power and connection indicator | Used to indicate whether the dock is powered on normally. |
| 2 Headset and microphone combo jack | Used to connect a microphone, a headset, or a speaker. |
| 3 Front panel super speed USB 3.0 connector | Used to connect USB devices (USB 1.0, USB 1.1, USB 2.0, and USB 3.0 compatible). |
| 4 Security keyhole | Used to secure the dock. |
| 5 Power button | Used to turn on or turn off the dock. |
| 6 Gigabit Ethernet connector | Used to connect a local area network (LAN) cable. |
| 7 Digital Video Interface - Digital (DVI-D) video output connector | Used to connect an external monitor with a DVI cable. |
| 8 Digital Video Interface - Integrated (DVI-I) video output connector | Used to connect an external monitor with a DVI cable. You also can connect a DVI-I to Video Graphics Array (VGA) adapter to the DVI-I video output connector, and connect the external monitor with a VGA cable to the DVI-I to VGA adapter. |
| 9 DC-in power jack | Used to connect the power adapter. |
| 10 USB 3.0 upstream connector | Used to connect a notebook computer. |
| 11 USB 3.0 connector with battery charging function | Used to charge USB devices even when the computer is in sleep or hibernation mode, or the dock is disconnected from the computer. |
| 12 Rear panel super speed USB 3.0 connector | Used to connect USB devices (USB 1.0, USB 1.1, USB 2.0 and USB 3.0 compatible). |

System requirements

Before using the dock, ensure that your notebook computer has one of the following operating systems installed:

- Microsoft® Windows® XP (32-bit)
- Microsoft Windows Vista® (32-bit or 64-bit)
- Microsoft Windows 7 (32-bit or 64-bit)

Before using the dock, ensure that your notebook computer at least meets the following requirements:

- An available CD or DVD drive
- An available USB 2.0 or USB 3.0 connector
- An ATI, Intel®, or NVIDIA graphics card installed
- 1 GB of memory
- 1.6 GHz of dual-core Central Processing Unit (CPU)
- 30 MB of free space on the hard disk drive on which you want to install the device driver

Chapter 2. Installing the dock

This chapter provides information on how to connect the dock to your notebook computer, and how to install and uninstall the device driver.

Connecting the dock to your notebook computer

This section provides instructions on how to connect the dock to your notebook computer with the provided power adapter, power cord, and USB 3.0 cable.

To connect the dock to your notebook computer, do the following:

1. Connect the power adapter to the power cord.

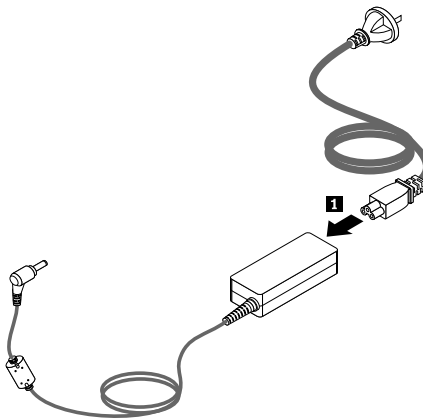


Figure 2. Connecting the power adapter to the power cord

2. Connect the dc-in connector of the power adapter to the dock.
3. Connect the power plug of the power cord to an electrical outlet. Press the power button to turn on the dock.

Note: Be sure to correctly connect the dock to the power supply. If the dock is not powered on, you will not be able to use the dock.

4. Connect the USB B plug **B** of the USB 3.0 cable to the USB 3.0 upstream connector on the dock.
5. Connect the USB A plug **A** of the USB 3.0 cable to an available USB connector on the notebook computer.

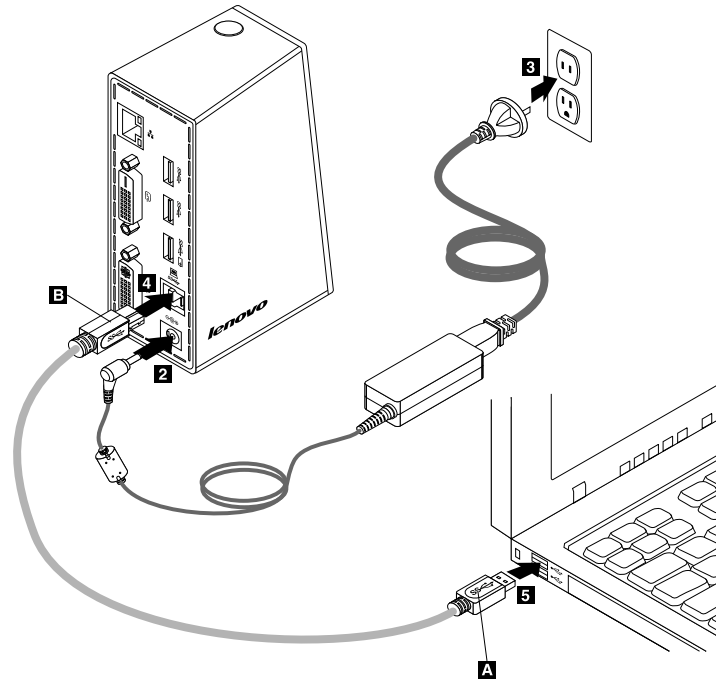


Figure 3. Connecting the dock to the power supply and notebook computer

Notes:

- The dock will not supply power to the notebook computer during the time when it is connected to the notebook computer.
- Connecting the dock to any connector other than a USB 3.0 connector or using any USB cable other than a USB 3.0 cable might impact on the dock performance, especially the video playback and Ethernet performance. However, the supported maximum resolution will not be reduced.

Installing the device driver on Windows operating systems

After you have connected the dock to your notebook computer, you can install the device driver on the *Software and User Guide CD*.

To install the device driver on the Windows XP, Windows Vista, or Windows 7 operating system, do the following:

1. Save any open documents and exit all applications.
2. Insert the *Software and User Guide CD* and do one of the following:
 - If the CD starts automatically, go to step 3.
 - If the AutoPlay window opens, click **Run start.bat**. Then, go to step 3.
 - If the CD does not start automatically, go into **My Computer** or **Computer**, browse the CD/DVD drive, and double-click **Start.bat**.
3. Select your language.
4. On the left side of the window, click **Software**.
5. Follow the instructions on the screen.
6. Restart your computer after the completion message is displayed. The system will automatically identify and configure the dock. The video output function of the dock will be automatically enabled after the configuration is completed.

Uninstalling the device driver from Windows operating systems

This section provides instructions on how to uninstall the device driver from the Windows XP, Windows Vista, or Windows 7 operating system.

To uninstall the device driver, do the following:

1. Exit all applications that use the dock.
2. Click **Start → All Programs → ThinkPad USB 3.0 Dock → Uninstall ThinkPad USB 3.0 Dock**.
3. Follow the instructions on the screen to uninstall the device driver.
4. Restart your computer if necessary.

Chapter 3. Using the dock

This chapter provides information on how to use the headset and microphone combo jack, Gigabit Ethernet connector, USB connectors, and video output connectors on the dock.

You can connect devices to the appropriate connectors on the dock while your notebook computer is started. Normally it will take several seconds for the notebook computer to recognize new devices.

Using the headset and microphone combo jack

The headset and microphone combo jack on the dock is a 3.5 mm microphone combined stereo line-out jack. It only works for the standard 3.5 mm headset or microphone.

To use the headset and microphone combo jack on the dock, connect your headset, microphone, or speaker to the headset and microphone combo jack.

Note: The headset and microphone combo jack on the dock are automatically enabled when you have successfully connected the dock to your notebook computer and installed the device driver. However, if you cannot hear anything from the headset connected to the headset and microphone combo jack on the dock, you can manually enable the headset and microphone combo jack on the dock. See “Manually enabling the headset and microphone combo jack” on page 13 for more information.

Using the Gigabit Ethernet connector

To use the Gigabit Ethernet connector on the dock, connect the dock to standard 10 Mbps, 100 Mbps, or 1000 Mbps network, and wait until the dock is fully configured by the Windows operating system.

The Gigabit Ethernet connection on the dock fully supports the ThinkVantage® Access Connections program.

Using the USB connectors

To use the USB connectors, connect a USB device to any of the five USB connectors on the dock with a USB cable.

When the USB device is correctly connected to a USB connector on the dock, an information window will be displayed in the Windows notification area, indicating that the USB device has been connected to the computer.

Using the USB 3.0 connector with battery charging function

The USB 3.0 connector with battery charging function enables you to charge USB devices even when the computer is in sleep or hibernation mode, or the dock is disconnected from the computer.

Notes:

1. Most of the mobile devices can be charged by the USB 3.0 connector with battery charging function, but some devices with special configuration might not be charged.
2. The charging time varies depending on the device configuration and the environment.

Using the video output connectors

The video output connectors on the dock consist of one DVI-D video output connector and one DVI-I video output connector. You can simultaneously connect two external monitors to the dock using the two video output connectors. You do not have to disconnect the dock from your notebook computer each time when you connect the external monitors to the video output connectors.

To use the video output connectors, connect the DVI cable of the external monitors to the video output connectors on the dock.

You also can connect an external monitor with a VGA connector to the dock using a DVI-I to VGA adapter. To use the DVI-I to VGA adapter, do the following:

1. Connect the DVI-I to VGA adapter to the DVI-I video output connector on the dock.
2. Tighten the two screws on the DVI-I to VGA adapter.

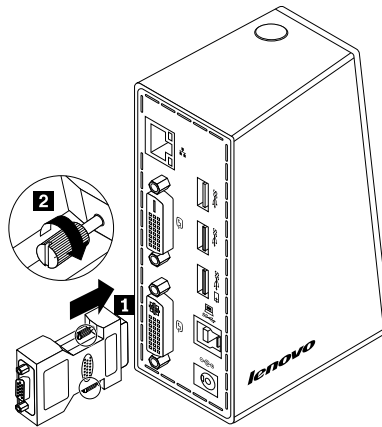


Figure 4. Using the DVI-I to VGA adapter

3. Connect the VGA connector of the external monitor to the DVI-I to VGA adapter using a VGA cable.

You can adjust video settings to customize the use of the dock. For more information, see “Working with the dock utility” on page 13.

Note: For better performance, occasionally adjust the external monitor to realign its settings with the video output of the dock. For more information about the adjustment procedure, refer to the documentation that comes with your external monitor.

Chapter 4. Working with the dock

This chapter provides information about the video output function of the dock and instructions on how to work with the dock utility, which enables you to configure the dock to your needs.

Identifying your monitors

If you are simultaneously connecting two external monitors to your notebook computer using the dock, click the ThinkPad USB 3.0 Dock icon in the Windows notification area, and you might see menus named as **2. ThinkPad USB 3.0 Dock** or **4. ThinkPad USB 3.0 Dock**. The serial numbers at the beginning of the menus are automatically and randomly assigned by the Windows operating system, which can help you match the menus with the corresponding monitors. Select the monitor that you want to configure, and then you can configure the color quality, the screen rotation, the screen resolution, and the video output modes for the selected monitor through the submenu options under the corresponding menu. Before doing any monitor configuration, you need to firstly identify your monitors.

To identify your monitors, do the following:

1. Click the ThinkPad USB 3.0 Dock icon in the Windows notification area. A pop-up menu opens.
2. Select **Video Setup**. A window opens.
3. Right-click the monitor number icon as you want in the top panel, and then select **Identify**. The selected monitor number is displayed on the corresponding monitor screen. If you want to identify all monitors at a time, depending on the operating system you are using, click **Identify** or **Identify all** in the top right corner of the window.

Understanding the video output modes

The dock works in the following three video output modes:

- “Extend mode” on page 11
- “Mirror mode” on page 12
- “Single-display mode” on page 12

By default, the dock works in extend mode.

Extend mode

When the dock is in extend mode, it splits your display across multiple monitors.

There are three options when you are using extend mode:

- **Extend:** When you select this option, your notebook computer monitor becomes the primary display and the external monitor(s) become the secondary display(s), and the external monitor display(s) are on the right side of the notebook computer monitor display by default.
- **Extend To:** When you select this option, your notebook computer monitor becomes the primary display and the external monitor(s) become the secondary display(s). You can give each monitor its own frame buffer through the submenu options **Right**, **Left**, **Above**, and **Below** or through drag operations. The display space is a continuous area; therefore, windows and objects can be moved between different displays, or even straddled across multiple displays.
- **Set as Main Monitor:** When you select this option, the external monitor(s) become the primary display(s) and the notebook computer monitor becomes the secondary display.

In extend mode, you can drag and drop windows from one display to the other(s). Also, you can increase your productivity by doing the following:

- Reading e-mails on one display and opening the attachments on the other(s)
- Expanding a spreadsheet across multiple displays
- Increasing your work area by putting all the palette and toolbars on the other display(s) when you are doing graphics editing
- Keeping the desktop on one display and watching videos on the other(s)

To enter extend mode, do the following:

1. Click the ThinkPad USB 3.0 Dock icon in the Windows notification area. A pop-up menu opens.
2. Select **ThinkPad USB 3.0 Dock**, and then select one from the following:
 - **Extend**
 - **Extend To**
 - **Set as Main Monitor**

To exit extend mode, do the following:

1. Click the ThinkPad USB 3.0 Dock icon in the Windows notification area. A pop-up menu opens.
2. Select **ThinkPad USB 3.0 Dock → Off**.

Mirror mode

When the dock is in mirror mode, it clones your notebook computer screen to the external monitor(s). The dock automatically selects the settings (screen resolution, color quality, and refresh rate) for the external monitor(s), which will enable the best resolution based on your notebook computer.

To enter mirror mode, do the following:

1. Click the ThinkPad USB 3.0 Dock icon in the Windows notification area. A pop-up menu opens.
2. Select **ThinkPad USB 3.0 Dock → Mirror**.

To exit mirror mode, do the following:

1. Click the ThinkPad USB 3.0 Dock icon in the Windows notification area. A pop-up menu opens.
2. Select **ThinkPad USB 3.0 Dock → Off**.

Single-display mode

When the dock is in single-display mode, it enables you to show your desktop on only one screen.

There are two options when you are using single-display mode:

- **Notebook Monitor Off:** When you select this option, the display of your notebook computer monitor turns off and the display of the external monitor turns on.

Note: This option is available when there is only one external monitor connected to the dock.

- **Off:** When you select this option, the display of external monitor(s) turn off and the display of your notebook computer monitor turns on. However, the other functions such as audio, Ethernet, and USB connection can still work though the display is off.

To enter single-display mode, do the following:

1. Click the ThinkPad USB 3.0 Dock icon in the Windows notification area. A pop-up menu opens.
2. Select **ThinkPad USB 3.0 Dock → Notebook Monitor Off** or **Off**.

To exit single-display mode, do the following:

1. Click the ThinkPad USB 3.0 Dock icon in the Windows notification area. A pop-up menu opens.
2. Select **ThinkPad USB 3.0 Dock**, and then select another mode as you want.

Working with the dock utility

The dock utility enables you to configure the display settings of the dock.

Note: The settings you have configured for the dock will be retained each time when you connect the notebook computer to the dock. This feature enables you to use your notebook computer with multiple docks. For example, if you use a notebook computer both at home and at work, you can set up both work areas with docks. Then, you just connect your notebook computer to the dock at either location, and you are ready to work.

Checking for updates

This feature enables you to check whether there is any update for the device driver in the Windows 7 operating system.

To check for updates, do the following:

1. Click the ThinkPad USB 3.0 Dock icon in the Windows notification area. A pop-up menu opens.
2. Select **Check for updates**, and the utility will automatically search whether there is any update for the device driver.

Notes:

- This feature is supported only in the Windows 7 operating system.
- Ensure that your notebook computer is connected to the Internet when you are using this feature.

Manually enabling the headset and microphone combo jack

To manually enable the headset and microphone combo jack on the dock, depending on the operating system you are using, do one of the following:

For the Windows XP operating system:

1. Click the ThinkPad USB 3.0 Dock icon in the Windows notification area. A pop-up menu opens.
2. Select **Audio Setup**. The Sound and Audio Devices Properties window opens.
3. Click the **Audio** tab.
4. Select a USB audio line-out device from the **Sound playback** panel, and then select a USB audio line-in device from the **Sound recording** panel.

For the Windows Vista or Windows 7 operating system:

1. Click the ThinkPad USB 3.0 Dock icon in the Windows notification area. A pop-up menu opens.
2. Select **Audio Setup**. The Sound window is displayed.
3. Click the **Playback** tab to select a USB audio line-out device, and then click the **Recording** tab to select a USB audio line-in device.

4. Click **OK**.

Optimizing the video playback quality

In the Windows Vista or Windows 7 operating system, the dock enables you to optimize the video playback quality when there are some quality issues, such as a tear or split. After optimizing, the display will be smoother and clearer.

To optimize the video playback quality, do the following:

1. Click the ThinkPad USB 3.0 Dock icon in the Windows notification area. A pop-up menu opens.
2. Select **ThinkPad USB 3.0 Dock → Optimize for Video**.

Note: This setting is not supported in the Windows XP operating system.

Rotating the external monitor display

The dock enables you to rotate only your external monitor display(s) as you want.

To rotate the external monitor display, do the following:

1. Click the ThinkPad USB 3.0 Dock icon in the Windows notification area. A pop-up menu opens.
2. Select **ThinkPad USB 3.0 Dock → Screen Rotation**, and then select one of the following options:
 - **Normal:** The external monitor display remain the same as your notebook computer monitor display.
 - **Rotated Left:** The external monitor display rotate 90 degrees to the left.
 - **Rotated Right:** The external monitor display rotate 90 degrees to the right.
 - **Upside-Down:** The external monitor display become upside-down.

Note: For a normal display, you can continually click **Rotated Left** or **Rotated Right** until the display becomes upside-down.

Setting the color quality of the external monitor

The dock enables you to select a target color quality for the external monitor display. The available options are 16-bit or 32-bit. Bit means the color depth of the display. The default and recommended setting is 32-bit.

To set the color quality of the external monitor, depending on the operating system you are using, do one of the following:

For the Windows XP or Windows Vista operating system:

1. Click the ThinkPad USB 3.0 Dock icon in the Windows notification area. A pop-up menu opens.
2. Select **Video Setup**. A window opens.
3. In the **Color Quality** area, select **Medium (16 bit)** or **Highest (32 bit)**.

For the Windows 7 operating system:

1. Click the ThinkPad USB 3.0 Dock icon in the Windows notification area. A pop-up menu opens.
2. Select **Video Setup**. A window opens.
3. Click **Advanced settings**, and then click the **Monitor** tab.
4. Select **High Color (16 bit)** or **True Color (32 bit)** from the **Colors** drop-down list box.
5. Click **OK** to save the setting.

Setting the resolution of the external monitor

The dock enables you to set the resolution of the external monitor.

In extend mode and single-display mode, you can set the resolution of the external monitor by doing the following:

1. Click the ThinkPad USB 3.0 Dock icon in the Windows notification area. A pop-up menu opens.
2. Select **ThinkPad USB 3.0 Dock → Screen Resolution**, and then select the desired screen resolution option for the external monitor. For example, “2048 x 1152” means that the video output resolution will be 2048 by 1152 pixels.

In the mirror mode, you can set the resolution of the external monitor by doing the following:

1. Click the ThinkPad USB 3.0 Dock icon in the Windows notification area. A pop-up menu opens.
2. Select **Video Setup**. A window opens.
3. Depending on the operating system you are using, do one of the following:
 - For the Windows XP or Windows Vista operating system:
In the **Resolution** area, move the slider right to increase or left to decrease the resolution of the external monitor.
 - For the Windows 7 operating system:
In the **Resolution** drop-down list box, move the slider up to increase or down to decrease the resolution of the external monitor.

Switching video output modes

To switch from one video output to another, do the following:

1. Click the ThinkPad USB 3.0 Dock icon in the Windows notification area. A pop-up menu opens.
2. Select **ThinkPad USB 3.0 Dock**, and then select the video output mode as you want.

For more information about the video output modes, refer to “Understanding the video output modes” on page 11.

Supported resolutions and refresh rates

The following table lists the refresh rates supported at various resolutions for the dock video output.

Table 1. Supported resolutions and refresh rates

SN	Resolution	Refresh rate (Unit: Hz)
1	640 x 480	60, 67, 72, 75, 85
2	720 x 400	70, 85, 88
3	720 x 480	50, 60
4	768 x 576	50, 60
5	800 x 480	60
6	800 x 600	56, 60, 72, 75, 85
7	832 x 624	75
8	848 x 480	60
9	1024 x 600	60

Table 1. Supported resolutions and refresh rates (continued)

SN	Resolution	Refresh rate (Unit: Hz)
10	1024 x 768	60, 70, 75, 85
11	1152 x 864	75
12	1152 x 870	75
13	1280 x 720	50, 60
14	1280 x 768	60, 75, 85
15	1280 x 800	60
16	1280 x 960	60, 85
17	1280 x 1024	60, 75
18	1360 x 768	60
19	1366 x 768	50, 60
20	1368 x 768	60
21	1400 x 1050	60, 75, 85
22	1440 x 900	60
23	1600 x 1200	60
24	1680 x 1050	60
25	1920 x 1080	50, 60
26	1920 x 1200	60
27	2048 x 1080	60
28	2048 x 1152	60

Notes:

1. Resolution refers to the number of pixels horizontally and vertically displayed on the screen.
2. Refresh rate (also called vertical frequency) measures the speed that the entire screen is rescanned.

Chapter 5. Troubleshooting

This chapter provides some troubleshooting hints and tips to assist you if you experience any problems with the dock. Check the following items first to try to solve the problem.

General

1. The power and connection indicator of the dock is not on.

Ensure that you have correctly connected the power supply to the dock and a working electrical outlet, and that you have pressed the power button. Do not use any power supply other than the one provided with the dock.

2. You connect the dock to a computer with the provided USB 3.0 cable, but the dock does not work.

- a. Ensure that the dock is well powered by its power supply. The dock always needs external power supply for operation, because it does not take power from the USB connector attached to your notebook computer.
- b. Ensure that the device driver of the dock is well installed; if not, install the device driver and restart the computer.
- c. Ensure that the USB connector on your computer works well; if not, replace with other USB connectors.

3. You cannot start your notebook computer when it is connected with the dock.

Ensure that you use the USB 3.0 cable provided with the dock.

Video output

1. The external monitor display(s) are blank.

- Ensure that the notebook computer connected to the dock is running correctly and is not in standby or hibernation mode. When the notebook computer is in standby or hibernation mode, the external monitor display(s) are always blank.
- Ensure that the device drivers are installed following the installation instructions and the icon for the dock is visible in the Windows notification area.
- Ensure that the video output function is not disabled.
- Ensure the following connections are correct:
 - The connection between the USB 3.0 cable and your notebook computer
 - The connection between the USB 3.0 and the dock
 - The connection among the power supply, the dock, and the electrical outlet
 - The connection between the video cable and the video output connectors

Note: For the connection of the VGA connector, ensure that the DVI-I to VGA adapter also is secured by the screws on both sides of it.

- If the problem persists, disconnect all connections of the dock, and uninstall the dock device driver. Then, reinstall the dock and the device driver.

2. You cannot play back videos on your external monitor(s) but can play them back on your notebook computer monitor.

Some notebook computers do not support the Certified Output Protection Protocol (COPP), and you will not be able to play back the protected videos on the external monitors connected to the dock. The Corel WinDVD 10 program also has limitations on playing back videos in the Windows XP operating system.

To play back videos on the external monitor(s), you can connect the external monitor(s) to the VGA connector(s) on your notebook computer, and extend the display to the external monitor(s). For more information about configuring the display settings, see “Working with the dock utility” on page 13.

3. You cannot drag an application window to the other monitor(s) in the Windows XP or Windows Vista operating system.

In the Windows XP or Windows Vista operating system, you cannot drag a maximized window unless you reduce the window to a smaller size.

To drag a window from one monitor to the other(s), do the following:

- a. On the window that you want to drag, click the **Restore Down** button or double-click the title bar to make the window exit from its maximized status.
- b. Drag the title bar of the window to the monitor that you want the window to be displayed.

4. The images on the external monitor(s) flutter.

To solve the problem, check the following:

- Ensure that the external monitor(s) are well connected to the video output connectors of the dock.
- Check the display resolution setting of the notebook computer and ensure that the resolution is supported by the dock.
- Check that you do not select **Optimize for Video** in the Windows Vista or Windows 7 operating system. If you select it, you might see double image in full screen mode when you right-click the screen to open the setting menus.

5. The images on the external monitor(s) are not in correct colors.

To solve the problem, do the following:

- a. Ensure that the external monitor(s) are well connected to the video output connectors of the dock.
- b. Check the display resolution setting of the computer and ensure that the resolution is supported by the dock.

6. Your computer can play back Web flashes. However, when you drag the window to the external monitor(s) and maximize the playback window, the playback stops.

To solve the problem, update your Adobe Flash Player to the latest version.

Audio

You cannot hear anything through your notebook computer speakers or you cannot use the audio connectors on the notebook computer.

By default, ThinkPad and other Lenovo® notebook computers use the headset and microphone combo jack on the dock and disable built-in audio connectors when the dock is connected.

To enable the built-in audio connectors on your notebook computer, depending on the operating system you are using, do one of the following:

For the Windows XP operating system:

1. Right-click the volume icon in the Windows notification area.
2. Select **Adjust Audio Properties**, and the Sound and Audio Devices Properties window is displayed.
3. Click the **Audio** tab
4. Select a built-in audio device from the **Sound playback** panel, and then select another built-in audio device from the **Sound recording** panel.

For the Windows Vista or Windows 7 operating system:

1. Right-click the volume icon in the Windows notification area.
2. Select **Sounds**, and the Sound window is displayed.
3. Click the **Playback** tab to select a built-in audio device, and then click the **Recording** tab to select another built-in audio device.

Notes:

1. To apply the new settings, restart the applications that are using the audio devices.
2. The settings you have adjusted will be saved until you change the settings the next time.

Appendix A. Service and Support

The following information describes the technical support that is available for your product, during the warranty period or throughout the life of your product. Refer to the Lenovo Limited Warranty for a full explanation of Lenovo warranty terms.

Online technical support

Online technical support is available during the lifetime of a product at:
<http://www.lenovo.com/support>

Product replacement assistance or exchange of defective components also is available during the warranty period. In addition, if your option is installed in a Lenovo computer, you might be entitled to service at your location. A Lenovo technical support representative can help you determine the best alternative.

Telephone technical support

Installation and configuration support through the Customer Support Center will be available until 90 days after the option has been withdrawn from marketing. After that time, the support is cancelled, or made available for a fee, at Lenovo's discretion. Additional support is also available for a nominal fee.

Before contacting a Lenovo technical support representative, please have the following information available: option name and number, proof of purchase, computer manufacturer, model, serial number and manual, the exact wording of any error message, description of the problem, and the hardware and software configuration information for your system.

Your technical support representative might want to walk you through the problem while you are at your computer during the call.

Telephone numbers are subject to change without notice. The most up-to-date telephone list for Lenovo Support is always available at <http://www.lenovo.com/support/phone>. If the telephone number for your country or region is not listed, contact your Lenovo reseller or Lenovo marketing representative.

Appendix B. Lenovo Limited Warranty

L505-0010-02 08/2011

This Lenovo Limited Warranty consists of the following parts:

Part 1 - General Terms

Part 2 - Country-specific Terms

Part 3 - Warranty Service Information

The terms of **Part 2** replace or modify terms of **Part 1** as specified for a particular country.

Part 1 - General Terms

This Lenovo Limited Warranty applies only to Lenovo hardware products you purchased for your own use and not for resale. This Lenovo Limited Warranty is available in other languages at www.lenovo.com/warranty.

What this Warranty Covers

Lenovo warrants that each Lenovo hardware product that you purchase is free from defects in materials and workmanship under normal use during the warranty period. The warranty period for the product starts on the original date of purchase as shown on your sales receipt or invoice or as may be otherwise specified by Lenovo. The warranty period and type of warranty service that apply to your product are as specified in "**Part 3 - Warranty Service Information**" below. This warranty only applies to products in the country or region of purchase.

THIS WARRANTY IS YOUR EXCLUSIVE WARRANTY AND REPLACES ALL OTHER WARRANTIES OR CONDITIONS, EXPRESS OR IMPLIED, INCLUDING, BUT NOT LIMITED TO, ANY IMPLIED WARRANTIES OR CONDITIONS OF MERCHANTABILITY OR FITNESS FOR A PARTICULAR PURPOSE. AS SOME STATES OR JURISDICTIONS DO NOT ALLOW THE EXCLUSION OF EXPRESS OR IMPLIED WARRANTIES, THE ABOVE EXCLUSION MAY NOT APPLY TO YOU. IN THAT EVENT, SUCH WARRANTIES APPLY ONLY TO THE EXTENT AND FOR SUCH DURATION AS REQUIRED BY LAW AND ARE LIMITED IN DURATION TO THE WARRANTY PERIOD. AS SOME STATES OR JURISDICTIONS DO NOT ALLOW LIMITATIONS ON THE DURATION OF AN IMPLIED WARRANTY, THE ABOVE LIMITATION ON DURATION MAY NOT APPLY TO YOU.

How to Obtain Warranty Service

If the product does not function as warranted during the warranty period, you may obtain warranty service by contacting Lenovo or a Lenovo approved Service Provider. A list of approved Service Providers and their telephone numbers is available at: www.lenovo.com/support/phone.

Warranty service may not be available in all locations and may differ from location to location. Charges may apply outside a Service Provider's normal service area. Contact a local Service Provider for information specific to your location.

Customer Responsibilities for Warranty Service

Before warranty service is provided, you must take the following steps:

- follow the service request procedures specified by the Service Provider;

- backup or secure all programs and data contained in the product;
- provide the Service Provider with all system keys or passwords;
- provide the Service Provider with sufficient, free, and safe access to your facilities to perform service;
- remove all data, including confidential information, proprietary information and personal information, from the product or, if you are unable to remove any such information, modify the information to prevent its access by another party or so that it is not personal data under applicable law. The Service Provider shall not be responsible for the loss or disclosure of any data, including confidential information, proprietary information, or personal information, on a product returned or accessed for warranty service;
- remove all features, parts, options, alterations, and attachments not covered by the warranty;
- ensure that the product or part is free of any legal restrictions that prevent its replacement;
- if you are not the owner of a product or part, obtain authorization from the owner for the Service Provider to provide warranty service.

What Your Service Provider Will Do to Correct Problems

When you contact a Service Provider, you must follow the specified problem determination and resolution procedures.

The Service Provider will attempt to diagnose and resolve your problem by telephone, e-mail or remote assistance. The Service Provider may direct you to download and install designated software updates.

Some problems may be resolved with a replacement part that you install yourself called a “Customer Replaceable Unit” or “CRU.” If so, the Service Provider will ship the CRU to you for you to install.

If your problem cannot be resolved over the telephone; through the application of software updates or the installation of a CRU, the Service Provider will arrange for service under the type of warranty service designated for the product under “**Part 3 - Warranty Service Information**” below.

If the Service Provider determines that it is unable to repair your product, the Service Provider will replace it with one that is at least functionally equivalent.

If the Service Provider determines that it is unable to either repair or replace your product, your sole remedy under this Limited Warranty is to return the product to your place of purchase or to Lenovo for a refund of your purchase price.

Replacement Products and Parts

When warranty service involves the replacement of a product or part, the replaced product or part becomes Lenovo’s property and the replacement product or part becomes your property. Only unaltered Lenovo products and parts are eligible for replacement. The replacement product or part provided by Lenovo may not be new, but it will be in good working order and at least functionally equivalent to the original product or part. The replacement product or part shall be warranted for the balance of the period remaining on the original product.

Use of Personal Contact Information

If you obtain service under this warranty, you authorize Lenovo to store, use and process information about your warranty service and your contact information, including name, phone numbers, address, and e-mail address. Lenovo may use this information to perform service under this warranty. We may contact you to inquire about your satisfaction with our warranty service or to notify you about any product recalls or safety issues. In accomplishing these purposes, you authorize Lenovo to transfer your information to any country where we do business and to provide it to entities acting on our behalf. We may also disclose it where required by law. Lenovo’s privacy policy is available at www.lenovo.com/.

What this Warranty Does not Cover

This warranty does not cover the following:

- uninterrupted or error-free operation of a product;
- loss of, or damage to, your data by a product;
- any software programs, whether provided with the product or installed subsequently;
- failure or damage resulting from misuse, abuse, accident, modification, unsuitable physical or operating environment, natural disasters, power surges, improper maintenance, or use not in accordance with product information materials;
- damage caused by a non-authorized service provider;
- failure of, or damage caused by, any third party products, including those that Lenovo may provide or integrate into the Lenovo product at your request;
- any technical or other support, such as assistance with “how-to” questions and those regarding product set-up and installation;
- products or parts with an altered identification label or from which the identification label has been removed.

Limitation of Liability

Lenovo is responsible for loss or damage to your product only while it is in the Service Provider’s possession or in transit, if the Service Provider is responsible for the transportation.

Neither Lenovo nor the Service Provider is responsible for loss or disclosure of any data, including confidential information, proprietary information, or personal information, contained in a product.

UNDER NO CIRCUMSTANCES, AND NOTWITHSTANDING THE FAILURE OF ESSENTIAL PURPOSE OF ANY REMEDY SET FORTH HEREIN, SHALL LENOVO, ITS AFFILIATES, SUPPLIERS, RESELLERS, OR SERVICE PROVIDERS BE LIABLE FOR ANY OF THE FOLLOWING EVEN IF INFORMED OF THEIR POSSIBILITY AND REGARDLESS OF WHETHER THE CLAIM IS BASED IN CONTRACT, WARRANTY, NEGLIGENCE, STRICT LIABILITY OR OTHER THEORY OF LIABILITY: 1) THIRD PARTY CLAIMS AGAINST YOU FOR DAMAGES; 2) LOSS, DAMAGE OR DISCLOSURE OF YOUR DATA; 3) SPECIAL, INCIDENTAL, PUNITIVE, INDIRECT OR CONSEQUENTIAL DAMAGES, INCLUDING BUT NOT LIMITED TO LOST PROFITS, BUSINESS REVENUE, GOODWILL OR ANTICIPATED SAVINGS. IN NO CASE SHALL THE TOTAL LIABILITY OF LENOVO, ITS AFFILIATES, SUPPLIERS, RESELLERS OR SERVICE PROVIDERS FOR DAMAGES FROM ANY CAUSE EXCEED THE AMOUNT OF ACTUAL DIRECT DAMAGES, NOT TO EXCEED THE AMOUNT PAID FOR THE PRODUCT.

THE FOREGOING LIMITATIONS DO NOT APPLY TO DAMAGES FOR BODILY INJURY (INCLUDING DEATH), DAMAGE TO REAL PROPERTY OR DAMAGE TO TANGIBLE PERSONAL PROPERTY FOR WHICH LENOVO IS LIABLE UNDER LAW. AS SOME STATES OR JURISDICTIONS DO NOT ALLOW THE EXCLUSION OR LIMITATION OF INCIDENTAL OR CONSEQUENTIAL DAMAGES, THE ABOVE LIMITATION OR EXCLUSION MAY NOT APPLY TO YOU.

Your Other Rights

THIS WARRANTY GIVES YOU SPECIFIC LEGAL RIGHTS. YOU MAY HAVE OTHER RIGHTS ACCORDING TO THE APPLICABLE LAWS OF YOUR STATE OR JURISDICTION. YOU MAY ALSO HAVE OTHER RIGHTS UNDER A WRITTEN AGREEMENT WITH LENOVO. NOTHING IN THIS WARRANTY AFFECTS STATUTORY RIGHTS, INCLUDING RIGHTS OF CONSUMERS UNDER LAWS OR REGULATIONS GOVERNING THE SALE OF CONSUMER GOODS THAT CANNOT BE WAIVED OR LIMITED BY CONTRACT.

Part 2 - Country-specific Terms

Australia

“Lenovo” means Lenovo (Australia & New Zealand) Pty Limited ABN 70 112 394 411. Address: Level 10, North Tower, 1-5 Railway Street, Chatswood, NSW, 2067. Telephone: +61 2 8003 8200. Email: lenosyd_au@lenovo.com

The following replaces the same section in Part 1:

What this Warranty Covers:

Lenovo warrants that each hardware product that you purchase is free from defects in materials and workmanship under normal use and conditions during the warranty period. If the product fails due to a covered defect during the warranty period, Lenovo will provide you a remedy under this Limited Warranty. The warranty period for the product starts on the original date of purchase specified on your sales receipt or invoice unless Lenovo informs you otherwise in writing. The warranty period and type of warranty service that apply to your product are set forth below in **Part 3 - Warranty Service Information**.

THE BENEFITS GIVEN BY THIS WARRANTY ARE IN ADDITION TO YOUR RIGHTS AND REMEDIES AT LAW, INCLUDING THOSE UNDER THE AUSTRALIAN CONSUMER LAW.

The following replaces the same section in Part 1:

Replacement Products and Parts:

When warranty service involves the replacement of a product or part, the replaced product or part becomes Lenovo’s property and the replacement product or part becomes your property. Only unaltered Lenovo products and parts are eligible for replacement. The replacement product or part provided by Lenovo may not be new, but it will be in good working order and at least functionally equivalent to the original product or part. The replacement product or part shall be warranted for the balance of the period remaining on the original product. Products and parts presented for repair may be replaced by refurbished products or parts of the same type rather than being repaired. Refurbished parts may be used to repair the product; and repair of the product may result in loss of data, if the product is capable of retaining user-generated data.

The following is added to the same section in Part 1:

Use of Personal Contact Information:

Lenovo will not be able to perform our service under this warranty if you refuse to provide your information or do not wish us to transfer your information to our agent or contractor. You have the right to access your personal contact information and request correction of any errors in it pursuant to the Privacy Act 1988 by contacting Lenovo.

The following replaces the same section in Part 1:

Limitation of Liability:

Lenovo is responsible for loss or damage to your product only while it is in the Service Provider’s possession or in transit, if the Service Provider is responsible for the transportation.

Neither Lenovo nor the Service Provider is responsible for loss or disclosure of any data, including confidential information, proprietary information, or personal information, contained in a product.

TO THE EXTENT PERMITTED BY LAW, UNDER NO CIRCUMSTANCES AND NOTWITHSTANDING THE FAILURE OF ESSENTIAL PURPOSE OF ANY REMEDY SET FORTH HEREIN, SHALL LENOVO, ITS AFFILIATES, SUPPLIERS, RESELLERS, OR SERVICE PROVIDERS BE LIABLE FOR ANY OF THE FOLLOWING EVEN IF INFORMED OF THEIR POSSIBILITY AND REGARDLESS OF WHETHER THE CLAIM IS BASED IN CONTRACT, WARRANTY, NEGLIGENCE, STRICT LIABILITY OR OTHER THEORY

OF LIABILITY: 1) THIRD PARTY CLAIMS AGAINST YOU FOR DAMAGES; 2) LOSS, DAMAGE OR DISCLOSURE OF YOUR DATA; 3) SPECIAL, INCIDENTAL, PUNITIVE, INDIRECT OR CONSEQUENTIAL DAMAGES, INCLUDING BUT NOT LIMITED TO LOST PROFITS, BUSINESS REVENUE, GOODWILL OR ANTICIPATED SAVINGS. IN NO CASE SHALL THE TOTAL LIABILITY OF LENOVO, ITS AFFILIATES, SUPPLIERS, RESELLERS OR SERVICE PROVIDERS FOR DAMAGES FROM ANY CAUSE EXCEED THE AMOUNT OF ACTUAL DIRECT DAMAGES, NOT TO EXCEED THE AMOUNT PAID FOR THE PRODUCT.

THE FOREGOING LIMITATIONS DO NOT APPLY TO DAMAGES FOR BODILY INJURY (INCLUDING DEATH), DAMAGE TO REAL PROPERTY OR DAMAGE TO TANGIBLE PERSONAL PROPERTY FOR WHICH LENOVO IS LIABLE UNDER LAW.

The following replaces the same section in Part 1:

Your Other Rights:

THIS WARRANTY GIVES YOU SPECIFIC LEGAL RIGHTS. YOU ALSO HAVE OTHER RIGHTS AT LAW, INCLUDING UNDER THE AUSTRALIAN CONSUMER LAW. NOTHING IN THIS WARRANTY AFFECTS STATUTORY RIGHTS OR RIGHTS AT LAW, INCLUDING RIGHTS THAT CANNOT BE WAIVED OR LIMITED BY CONTRACT.

For example, our products come with guarantees that cannot be excluded under the Australian Consumer Law. You are entitled to a replacement or refund for a major failure and compensation for any other reasonably foreseeable loss or damage. You are also entitled to have the products repaired or replaced if the products fail to be of acceptable quality and the failure does not amount to a major failure.

New Zealand

The following is added to the same section in Part 1:

Use of Personal Information:

Lenovo will not be able to perform our service under this warranty if you refuse to provide your information or do not wish us to transfer your information to our agent or contractor. You have the right to access your personal information and request correction of any errors in it pursuant to the Privacy Act 1993 by contacting Lenovo (Australia & New Zealand) Pty Limited ABN 70 112 394 411. Address: Level 10, North Tower, 1-5 Railway Street, Chatswood, NSW, 2067. Telephone: 61 2 8003 8200. Email: lensyd_au@lenovo.com

Bangladesh, Cambodia, India, Indonesia, Nepal, Philippines, Vietnam and Sri Lanka

The following is added to Part 1:

Dispute Resolution

Disputes arising out of or in connection with this warranty shall be finally settled by arbitration held in Singapore. This warranty shall be governed, construed and enforced in accordance with the laws of Singapore, without regard to conflict of laws. If you acquired the product in **India**, disputes arising out of or in connection with this warranty shall be finally settled by arbitration held in Bangalore, India. Arbitration in Singapore shall be held in accordance with the Arbitration Rules of Singapore International Arbitration Center ("SIAC Rules") then in effect. Arbitration in India shall be held in accordance with the laws of India then in effect. The arbitration award shall be final and binding on the parties without appeal. Any award shall be in writing and set forth the findings of fact and the conclusions of law. All arbitration proceedings, including all documents presented in such proceedings shall be conducted in the English language. The English language version of this warranty prevails over any other language version in such proceedings.

European Economic Area (EEA)

The following is added to Part 1:

Customers in the EEA may contact Lenovo at the following address: EMEA Service Organisation, Lenovo (International) B.V., Floor 2, Einsteinova 21, 851 01, Bratislava, Slovakia. Service under this warranty for Lenovo hardware products purchased in EEA countries may be obtained in any EEA country in which the product has been announced and made available by Lenovo.

Russia

The following is added to Part 1:

Product Service Life

The product service life is four (4) years from the original date of purchase.

Part 3 - Warranty Service Information

Product Type	Country or Region of Purchase	Warranty Period	Type of Warranty Service
ThinkPad USB 3.0 Dock	Worldwide	1 year	1, 4

If required, your Service Provider will provide repair or exchange service depending on the type of warranty service specified for your product and the available service. Scheduling of service will depend upon the time of your call, parts availability, and other factors.

Types of Warranty Service

1. Customer Replaceable Unit (“CRU”) Service

Under CRU Service, the Service Provider will ship CRUs to you at its cost for installation by you. CRU information and replacement instructions are shipped with your product and are available from Lenovo at any time upon request. CRUs that are easily installed by you are called “Self-service CRUs”. “Optional-service CRUs” are CRUs that may require some technical skill and tools. Installation of Self-service CRUs is your responsibility. You may request that a Service Provider install Optional-service CRUs under one of the other types of warranty service designated for your product. An optional service offering may be available for purchase from a Service Provider or Lenovo under which Self-service CRUs would be installed for you. You may find a list of CRUs and their designation in the publication that was shipped with your product or at www.lenovo.com/CRUs. The requirement to return a defective CRU, if any, will be specified in the instructions shipped with a replacement CRU. When return is required: 1) return instructions, a prepaid return shipping label, and a container will be included with the replacement CRU; and 2) you may be charged for the replacement CRU if the Service Provider does not receive the defective CRU from you within thirty (30) days of your receipt of the replacement CRU.

2. On-site Service

Under On-Site Service, a Service Provider will either repair or exchange the product at your location. You must provide a suitable working area to allow disassembly and reassembly of the product. Some repairs may need to be completed at a service center. If so, the Service Provider will send the product to the service center at its expense.

3. Courier or Depot Service

Under Courier or Depot Service, your product will be repaired or exchanged at a designated service center, with shipping at the expense of the Service Provider. You are responsible for disconnecting the product and packing it in a shipping container provided to you to return your product to a designated service center. A courier will pick up your product and deliver it to the designated service center. The service center will return the product to you at its expense.

4. Customer Carry-In Service

Under Customer Carry-In Service, your product will be repaired or exchanged after you deliver it to a designated service center at your risk and expense. After the product has been repaired or exchanged, it will be made available to you for collection. If you fail to collect the product, the Service Provider may dispose of the product as it sees fit, with no liability to you.

5. Mail-In Service

Under Mail-In Service, your product will be repaired or exchanged at a designated service center after you deliver it at your risk and expense. After the product has been repaired or exchanged, it will be returned to you at Lenovo's risk and expense, unless the Service Provider specifies otherwise.

6. Customer Two-Way Mail-In Service

Under Customer Two-Way Mail-In Service, your product will be repaired or exchanged after you deliver it to a designated service center at your risk and expense. After the product has been repaired or exchanged, it will be made available to you for return shipping at your risk and expense. If you fail to arrange return shipment, the Service Provider may dispose of the product as it sees fit, with no liability to you.

7. Product Exchange Service

Under Product Exchange Service, Lenovo will ship a replacement product to your location. You are responsible for its installation and verification of its operation. The replacement product becomes your property in exchange for the failed product, which becomes the property of Lenovo. You must pack the failed product in the shipping carton in which you received the replacement product and return it to Lenovo. Transportation charges, both ways, shall be at Lenovo's expense. If you fail to use the carton in which the replacement product was received, you may be responsible for any damage to the failed product occurring during shipment. You may be charged for the replacement product if Lenovo does not receive the failed product within thirty (30) days of your receipt of the replacement product.

Suplemento de Garantía para México

Este Suplemento se considera parte integrante de la Garantía Limitada de Lenovo y será efectivo única y exclusivamente para los productos distribuidos y comercializados dentro del Territorio de los Estados Unidos Mexicanos. En caso de conflicto, se aplicarán los términos de este Suplemento.

Todos los programas de software precargados en el equipo sólo tendrán una garantía de treinta (30) días por defectos de instalación desde la fecha de compra. Lenovo no es responsable de la información incluida en dichos programas de software y/o cualquier programa de software adicional instalado por Usted o instalado después de la compra del producto.

Los servicios no cubiertos por la garantía se cargarán al usuario final, previa obtención de una autorización.

En el caso de que se precise una reparación cubierta por la garantía, por favor, llame al Centro de soporte al cliente al 001-866-434-2080, donde le dirigirán al Centro de servicio autorizado más cercano. Si no existiese ningún Centro de servicio autorizado en su ciudad, población o en un radio de 70 kilómetros de su ciudad o población, la garantía incluirá cualquier gasto de entrega razonable relacionado con el transporte del producto a su Centro de servicio autorizado más cercano. Por favor, llame al Centro de

servicio autorizado más cercano para obtener las aprobaciones necesarias o la información relacionada con el envío del producto y la dirección de envío.

Para obtener una lista de los Centros de servicio autorizados, por favor, visite:

<http://www.lenovo.com/mx/es/servicios>

Importado por:

Lenovo México S. de R.L. de C.V.

Av. Santa Fe 505, Piso 15

Col. Cruz Manca

Cuajimalpa, D.F., México

C.P. 05349

Tel. (55) 5000 8500

Appendix C. Electronic emission notices

The following information refers to the ThinkPad USB 3.0 Dock.

Federal Communications Commission Declaration of Conformity

ThinkPad USB 3.0 Dock - 0A34193

This equipment has been tested and found to comply with the limits for a Class B digital device, pursuant to Part 15 of the FCC Rules. These limits are designed to provide reasonable protection against harmful interference in a residential installation. This equipment generates, uses, and can radiate radio frequency energy and, if not installed and used in accordance with the instructions, may cause harmful interference to radio communications. However, there is no guarantee that interference will not occur in a particular installation. If this equipment does cause harmful interference to radio or television reception, which can be determined by turning the equipment off and on, the user is encouraged to try to correct the interference by one or more of the following measures:

- Reorient or relocate the receiving antenna.
- Increase the separation between the equipment and receiver.
- Connect the equipment into an outlet on a circuit different from that to which the receiver is connected.
- Consult an authorized dealer or service representative for help.

Lenovo is not responsible for any radio or television interference caused by using other than specified or recommended cables and connectors or by unauthorized changes or modifications to this equipment. Unauthorized changes or modifications could void the user's authority to operate the equipment.

This device complies with Part 15 of the FCC Rules. Operation is subject to the following two conditions: (1) this device may not cause harmful interference, and (2) this device must accept any interference received, including interference that may cause undesired operation.

Responsible Party:
Lenovo (United States) Incorporated
1009 Think Place - Building One
Morrisville, NC 27560
Phone Number: 919-294-5900



Industry Canada Class B emission compliance statement

This Class B digital apparatus complies with Canadian ICES-003.

Cet appareil numérique de la classe B est conforme à la norme NMB-003 du Canada.

European Union - Compliance to the Electromagnetic Compatibility Directive

This product is in conformity with the protection requirements of EU Council Directive 2004/108/EC on the approximation of the laws of the Member States relating to electromagnetic compatibility. Lenovo cannot accept responsibility for any failure to satisfy the protection requirements resulting from a non-recommended modification of the product, including the installation of option cards from other manufacturers.

This product has been tested and found to comply with the limits for Class B Information Technology Equipment according to European Standard EN 55022. The limits for Class B equipment were derived

for typical residential environments to provide reasonable protection against interference with licensed communication devices.



German Class B compliance statement

Deutschsprachiger EU Hinweis:

Hinweis für Geräte der Klasse B EU-Richtlinie zur Elektromagnetischen Verträglichkeit

Dieses Produkt entspricht den Schutzanforderungen der EU-Richtlinie 2004/108/EG (früher 89/336/EWG) zur Angleichung der Rechtsvorschriften über die elektromagnetische Verträglichkeit in den EU-Mitgliedsstaaten und hält die Grenzwerte der EN 55022 Klasse B ein.

Um dieses sicherzustellen, sind die Geräte wie in den Handbüchern beschrieben zu installieren und zu betreiben. Des Weiteren dürfen auch nur von der Lenovo empfohlene Kabel angeschlossen werden. Lenovo übernimmt keine Verantwortung für die Einhaltung der Schutzanforderungen, wenn das Produkt ohne Zustimmung der Lenovo verändert bzw. wenn Erweiterungskomponenten von Fremdherstellern ohne Empfehlung der Lenovo gesteckt/eingebaut werden.

Deutschland:

Einhaltung des Gesetzes über die elektromagnetische Verträglichkeit von Betriebsmitteln

Dieses Produkt entspricht dem „Gesetz über die elektromagnetische Verträglichkeit von Betriebsmitteln“ EMVG (früher „Gesetz über die elektromagnetische Verträglichkeit von Geräten“). Dies ist die Umsetzung der EU-Richtlinie 2004/108/EG (früher 89/336/EWG) in der Bundesrepublik Deutschland.

Zulassungsbescheinigung laut dem Deutschen Gesetz über die elektromagnetische Verträglichkeit von Betriebsmitteln, EMVG vom 20. Juli 2007 (früher Gesetz über die elektromagnetische Verträglichkeit von Geräten), bzw. der EMV EG Richtlinie 2004/108/EC (früher 89/336/EWG), für Geräte der Klasse B.

Dieses Gerät ist berechtigt, in Übereinstimmung mit dem Deutschen EMVG das EG-Konformitätszeichen - CE - zu führen. Verantwortlich für die Konformitätserklärung nach Paragraf 5 des EMVG ist die Lenovo (Deutschland) GmbH, Gropiusplatz 10, D-70563 Stuttgart.

Informationen in Hinsicht EMVG Paragraf 4 Abs. (1) 4:

Das Gerät erfüllt die Schutzanforderungen nach EN 55024 und EN 55022 Klasse B.

Korea Class B compliance statement

B급 기기 (가정용 방송통신기자재)
이 기기는 가정용(B급) 전자파적합기기로서 주로 가정에서 사용하는 것을 목적으로 하며, 모든 지역에서 사용할 수 있습니다.

Japan VCCI Class B compliance statement

この装置は、クラスB情報技術装置です。この装置は、家庭環境で使用することを目的としていますが、この装置がラジオやテレビジョン受信機に近接して使用されると、受信障害を引き起こすことがあります。

取扱説明書に従って正しい取り扱いをして下さい。

VCCI-B

Japan compliance statement for products which connect to the power mains with rated current less than or equal to 20 A per phase

日本の定格電流が 20A/相 以下の機器に対する高調波電流規制
高調波電流規格 JIS C 61000-3-2 適合品

Lenovo product service information for Taiwan

台灣 Lenovo 產品服務資訊如下：
荷蘭商聯想股份有限公司台灣分公司
台北市信義區信義路五段七號十九樓之一
服務電話：0800-000-702

Appendix D. Notices

Lenovo may not offer the products, services, or features discussed in this document in all countries. Consult your local Lenovo representative for information on the products and services currently available in your area. Any reference to a Lenovo product, program, or service is not intended to state or imply that only that Lenovo product, program, or service may be used. Any functionally equivalent product, program, or service that does not infringe any Lenovo intellectual property right may be used instead. However, it is the user's responsibility to evaluate and verify the operation of any other product, program, or service.

Lenovo may have patents or pending patent applications covering subject matter described in this document. The furnishing of this document does not give you any license to these patents. You can send license inquiries, in writing, to:

*Lenovo (United States), Inc.
1009 Think Place - Building One
Morrisville, NC 27560
U.S.A.
Attention: Lenovo Director of Licensing*

LENOVO PROVIDES THIS PUBLICATION "AS IS" WITHOUT WARRANTY OF ANY KIND, EITHER EXPRESS OR IMPLIED, INCLUDING, BUT NOT LIMITED TO, THE IMPLIED WARRANTIES OF NON-INFRINGEMENT, MERCHANTABILITY OR FITNESS FOR A PARTICULAR PURPOSE. Some jurisdictions do not allow disclaimer of express or implied warranties in certain transactions, therefore, this statement may not apply to you.

This information could include technical inaccuracies or typographical errors. Changes are periodically made to the information herein; these changes will be incorporated in new editions of the publication. Lenovo may make improvements and/or changes in the product(s) and/or the program(s) described in this publication at any time without notice.

Trademarks

The following terms are trademarks of Lenovo in the United States, other countries, or both:

Lenovo
The Lenovo logo
ThinkPad
ThinkVantage

Microsoft, Windows, and Windows Vista are trademarks of the Microsoft group of companies.

Intel is a trademark of Intel Corporation in the United States, other countries, or both.

Other company, product, or service names may be trademarks or service marks of others.

Recycling information

Lenovo encourages owners of information technology (IT) equipment to responsibly recycle their equipment when it is no longer needed. Lenovo offers a variety of programs and services to assist equipment owners in recycling their IT products. For information on recycling Lenovo products, go to:

<http://www.lenovo.com/recycling>

Recycling and disposal information for Japan is available at:
<http://www.lenovo.com/recycling/japan>

Recycling information for Brazil

Declarações de Reciclagem no Brasil

Descarte de um Produto Lenovo Fora de Uso

Equipamentos elétricos e eletrônicos não devem ser descartados em lixo comum, mas enviados à pontos de coleta, autorizados pelo fabricante do produto para que sejam encaminhados e processados por empresas especializadas no manuseio de resíduos industriais, devidamente certificadas pelos órgãos ambientais, de acordo com a legislação local.

A Lenovo possui um canal específico para auxiliá-lo no descarte desses produtos. Caso você possua um produto Lenovo em situação de descarte, ligue para o nosso SAC ou encaminhe um e-mail para: reciclar@lenovo.com, informando o modelo, número de série e cidade, a fim de enviarmos as instruções para o correto descarte do seu produto Lenovo.


Appendix E. Restriction of Hazardous Substances Directive (RoHS)

China RoHS

The information in the following table is applicable for products manufactured on or after March 1, 2007 for sale in the People's Republic of China.

Lenovo 电脑选件	有毒有害物质或元素					
	铅 (Pb)	汞 (Hg)	镉 (Cd)	六价铬 (Cr(VI))	多溴联苯 (PBB)	多溴二苯醚 (PBDE)
扩展坞	X	O	O	O	O	O

O：表示该有毒有害物质在该部件所有均质材料中的含量均在SJ/T 11363-2006标准规定的限量要求以下。
X：表示该有毒有害物质至少在该部件的某一均质材料中的含量超出SJ/T 11363-2006标准规定的限量要求。
对于销往欧盟的产品，标有“X”的项目均符合欧盟指令2002/95/EC 豁免条款。

 在中华人民共和国境内销售的电子信息产品上将印有“环保使用期”(EPuP)符号。圆圈中的数字代表产品的正常环保使用年限。

Turkish statement of compliance

The Lenovo product meets the requirements of the Republic of Turkey Directive on the Restriction of the Use of Certain Hazardous Substances in Electrical and Electronic Equipment (EEE).

Türkiye EEE Yönetmeliğine Uygunluk Beyanı

Bu Lenovo ürünü, T.C. Çevre ve Orman Bakanlığı'nın "Elektrik ve Elektronik Eşyalarda Bazı Zararlı Maddelerin Kullanımının Sınırlandırılmasına Dair Yönetmelik (EEE)" direktiflerine uygundur.

EEE Yönetmeliğine Uygundur.

Ukraine RoHS

Цим підтверджуємо, що продукція Леново відповідає вимогам нормативних актів України, які обмежують вміст небезпечних речовин

lenovo®

Part Number: 0A33499

Printed in China

(1P) P/N: 0A33499

